

OPERATION, MAINTENANCE AND SAFETY INSTRUCTIONS

FOR OMEGA ALTISE PANEL CONVECTION HEATERS
ANPE1500W & ANPE2400W




omega
altise

IMPORTANT SAFETY INSTRUCTIONS

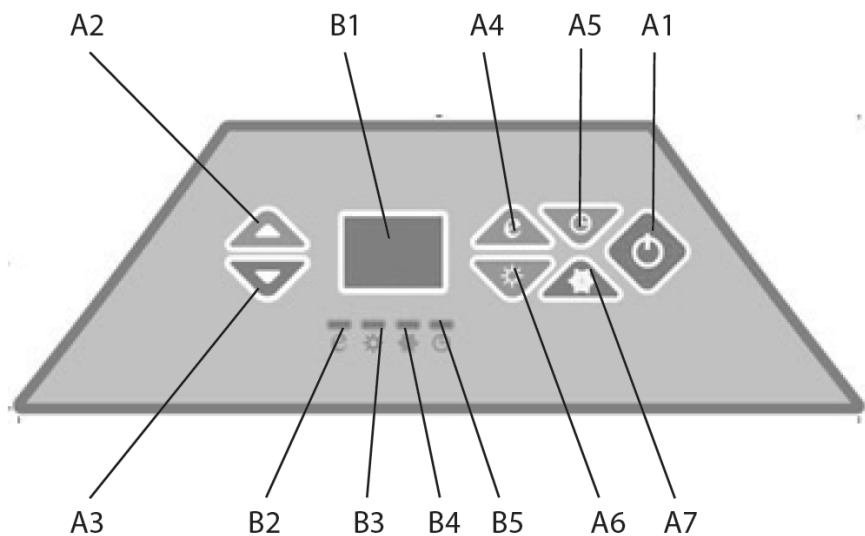
IMPORTANT: Read the safety precautions of this booklet carefully before attempting to assemble, install, operate or maintain the product described. Protect yourself and others by observing all safety information. Failure to comply with instructions could result in personal injury and/or property damage. If you are unsure about anything regarding your heater or these instructions, please contact Omega Altise on 1300 795 572 in Australia or (09) 415 600 in New Zealand before operating your appliance.

1. Read all instructions carefully before using the panel convection heater.
2. Use this heater only as described in this manual. Any other use not recommended by the manufacturer may cause fire, electrical shock, or injury to persons.
3. Remove the package and ensure that the heater is undamaged. In case of doubt do not use the heater and contact Omega Altise Service. Do not let children play with any parts of the package.
4. This appliance is not intended for use by persons (including children) with reduced physical, sensory or mental capabilities, or lack of experience or knowledge, unless they have been given supervision or instruction concerning the use of the appliance by a person responsible for their safety. Children should be supervised to ensure that they do not play with the appliance.
5. Before you use the heater, check if the voltage marked on the rating label corresponds to the mains in your home.
6. When first operated, a slight burning smell may be experienced. This is normal.
7. Avoid using extension cords as the extension cord may overheat and cause a risk of fire.
8. This heater is hot when in use. To avoid burns, do not let bare skin touch hot surfaces. Always use the control panel or castor supports when moving the heater (when not wall mounted). Keep combustible materials such as furniture, pillows, bedding, papers, clothes and curtains at least 1 meter from the front & top of the heater and keep them at least 0.5 meters from the sides and rear. Do not cover.
9. Do not pull the power cord to disconnect with the power source. Always grasp the plug to pull it out.
10. Do not insert any objects into the heater as it may cause an electric shock or fire or damage to the heater. Do not block or tamper with the heater in any manner while it is in operation. To prevent a possible fire, do not block the air inlet or outlet in any manner. Do not place on soft surfaces, like a bed or long pile carpet, where openings may become blocked.
11. Do not leave the heater unattended. Always unplug the heater when not in use. Always let the heater cool down before moving or storing away.
12. The heater has hot parts inside. It must NOT be used in potentially dangerous locations such as flammable, explosive, chemical-laden or wet atmospheres. This heater is intended for general indoor domestic use ONLY.
13. This heater is not intended for use in wet or damp locations, such as a bathroom or any area containing a bath, shower, wash basin or close to water or damp items. Never locate a heater where it may fall into a bathtub or other water container. It must be positioned or installed so that the controls cannot be touched by a person in a bath or shower. Do not immerse the power cord in any liquid (including water).
14. This heater is for use indoors only.
15. This heater includes an overheat protection safeguard that will turn the unit off should it overheat. If this occurs, remove the plug from the mains socket & allow to cool for 45 minutes, at which point it can be restarted. Check for the reason for the overheating, such as blocked vents, prior to starting up again.
16. Never install or use the heater directly below a wall socket.
17. When fixing on a wall, the heater must be level, securely fixed & at the correct height (check with local authorities if unsure). There must be at least 150mm between it and any barrier/wall to the sides, bottom or top to prevent overheating or damage.
18. Always use the heater with the castors supplied on level floors or attached to a wall with the supplied brackets.

WARNING:  The Main Power Switch and the On/Off switch should not be used as the sole means of disconnecting power. Always unplug the power cord before servicing or moving the unit.

WARNING:  To avoid danger of electric shock, unplug from outlet when not in use and before cleaning. If the supply cord is damaged, it must be replaced by a special cord or assembly available from an authorized person. In order to avoid overheating, do not cover the heater. The heater must NOT be located immediately below a socket outlet. Do not use the heater in the immediate surrounding of a bath, shower or swimming pool.

CONTROL FUNCTIONS



- A1. POWER BUTTON
- A2. INCREASE SETTING BUTTON
- A3. DECREASE SETTING BUTTON
- A4. LOW POWER (ECONOMY) BUTTON
- A5. TIMER BUTTON
- A6. FULL POWER BUTTON
- A7. ANTI-FROST BUTTON
- B1. NUMERIC DISPLAY
- B2. LOW POWER INDICATOR
- B3. HIGH POWER INDICATOR
- B4. ANTI-FROST INDICATOR
- B5. TIMER SET INDICATOR

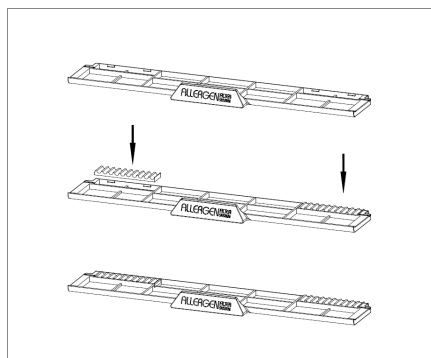
GETTING STARTED

1. Carefully remove the heater from packaging and the carton, and unwind the cord to its full length.
2. Either fit the castors & place the heater onto a stable, flat and dry surface, or fit the mounting brackets to a stable wall & hang from the wall in a dry position away from open or running water. See installation sections for details.
3. Turn the heater off at the power switch (on the top right hand side of the unit). Plug the cord set into a 220-240V~A.C. 50Hz electrical outlet. Turn the power on at the electrical outlet.
4. Turn the heater on at the power switch (on the right hand side of the unit). Depending on the last setting, either the numeric display will light up showing the previous temperature setting (the appliance will start to operate), or the numeric display decimal point will light up (the appliance in stand-by mode). If in stand-by mode, press the power button to start the appliance, and press again to put back to stand-by mode.

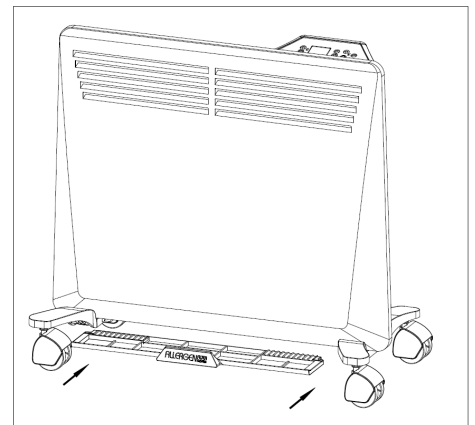
NOTE: Heater must have castors fitted or be attached to a wall before use.

FILTERS

The main filter can be fitted by pushing it into the slots mounted at the bottom of the appliance. It is designed to stop hair and dust from entering the appliance and collecting where it is hard to clean as well as removing them from air circulation. Remove the filter and clean with a vacuum cleaner periodically to keep the appliance working efficiently. NOTE: Allowing dust & hair to build up can create a potential fire hazard. The



small filter inserts can be used to disperse fragrance oils. Place one or 2 drops of the fragrance oil in each filter insert, and place in the rear corners of the main filter. Place the main filter under the appliance as described above. The heating effect and natural air convection will draw the scent through the heater and help distribute it throughout the room. NOTE: Do not overload the filter inserts with oils as they could be potentially flammable.



OPERATING INSTRUCTIONS

TURNING ON & OFF

Once the unit is in stand-by mode, press the power button once to turn the unit on. The LED display will show the current set temperature. Press again to put the appliance back into stand-by mode (only the decimal point will be displayed). NOTE: If the power supply is interrupted while the unit is operating, the unit will restart at using the same function when the power is reinstated.

POWER SETTINGS

There are 3 power settings, low, high and anti-frost. For normal operation, use the low or high settings. Once the unit is operating, the setting can be changed by pushing the low power button or high power button. Generally, start the unit using the high power setting (high power indicator lit), to heat the room as fast as possible. Once the required temperature has been reached, the unit can be turned down to the low power setting (low power indicator lit) to save power but keep the same temperature.

The anti-frost setting runs the appliance at 5°C (the numeric display shows 5°C and the anti-frost indicator is lit). Press once to activate, and then a second time to revert to the previous power setting (note there is no temperature adjustment on this setting). Note: Timer functions do not work when using the anti-frost setting.

SETTING TEMPERATURES

While the unit is operating in either the low or high power modes, press the increase setting button or decrease setting button once (decimal point is lit). Adjust the setting up or down by pressing the buttons. The numeric display will flash for 5 seconds after the last button pressed and then store the setting (decimal point turns off). The temperature can be set between 5°C & 35°C).

SETTING THE TIMER

While the unit is operating, press the timer button once. The numerical display will show the current timer setting (0-24 hours) and the timer set indicator will light up. Adjust the timer setting up or down using the increase setting button and decrease setting button. The numeric display (and timer setting indicator) will flash for 5 seconds after the last button pressed and then store the timer setting. Once the timer finishes, the appliance will revert to the stand-by mode. The timer will be disabled if the power button (A1) is turned off and on, the timer button is pressed again or the timer setting is set to "0". The timer will remain set if the main power switch is turned on and off, or the power supply is interrupted.

A timer function can also be set to turn the appliance on after a set period of time. With the appliance in stand-by mode, repeat the above sequence to set a time in hours. After 5 seconds, the display will turn off, but the timer set indicator will stay on. When the set time has elapsed, the appliance will turn on. NOTE: Take care that the appliance is in a safe position and nothing can accidentally be placed against it.

Timer settings can be adjusted at any time by pressing the timer button twice and adjusting the time as above.

MAIN POWER SWITCH

The main power switch is to the right of the control panel. After the heater is plugged in, switching this on allows the heater to function & switching it off stops all functions.

CONTROL PANEL LOCK

The control panel buttons can be locked when operating or in stand-by mode. Press the increase setting and decrease setting buttons together for 3 seconds and the display will show the lock symbol "[]" for 3 seconds and then revert to the previous display. Pressing any button will cause "[]" to be displayed again with no change to the functions. Turn the lock off by repeating the process. The lock will stay in place even if the main power button is turned off and on, or there is a short power failure.

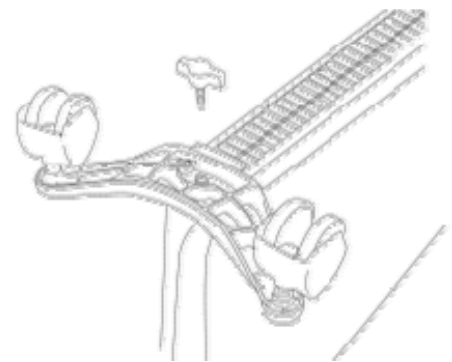
INSTALLATION GUIDE

This heater can either be mounted to a wall or used with the supplied castors. Please note the following safety warnings:

- This heater is hot when in use. To avoid burns, do not let bare skin touch hot surfaces. Always use the control panel or castor supports when moving the heater (when not wall mounted). Keep combustible materials such as furniture, pillows, bedding, papers, clothes and curtains at least 1 meter from the front & top of the heater and keep them at least 0.5 meters from the sides and rear. Do not cover.
- The heater has hot parts inside. It must NOT be used in potentially dangerous locations such as flammable, explosive, chemical-laden or wet atmospheres. This heater is intended for general indoor domestic use ONLY.
- This heater is not intended for use in wet or damp locations, such as a bathroom or any area containing a bath, shower, wash basin or close to water or damp items. Never locate a heater where it may fall into a bathtub or other water container. It must be positioned or installed so that the controls cannot be touched by a person in a bath or shower. Do not immerse the power cord in any liquid (including water).
- Never install or use the heater directly below a wall socket.
- When fixing on a wall, the heater must be level, securely fixed & at the correct height (check with local authorities if unsure). There must be at least 150mm between it and any barrier/wall to the sides, bottom or top to prevent overheating or damage.

FITTING CASTORS

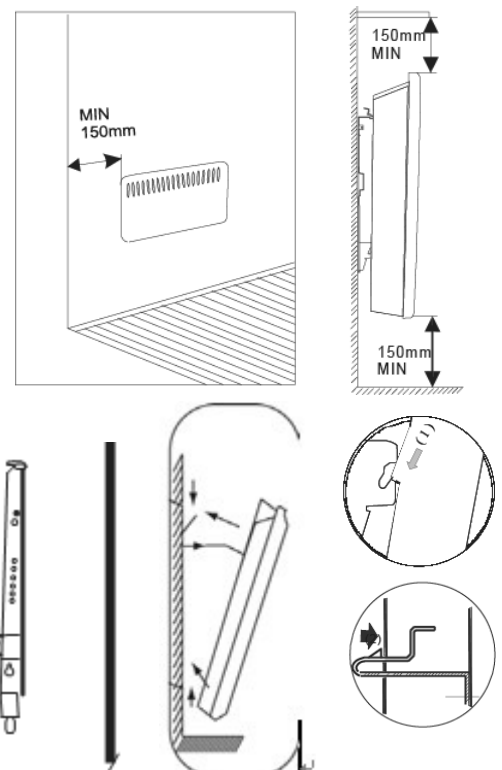
Make sure the heater is unplugged from the mains power. Turn the heater upside down & rest on a protective surface. Place a castor bracket over the screw hole at either side of the heater base. Use the supplied thumb screw to attach the castor bracket firmly to the heater base (do not over-tighten). Push the castors into the slots. Turn the heater right side up & it is ready to connect to mains power. Note: The heater gets hot when in use, so it is best not to move when in use. If it must be moved, use the castor brackets or control panel as points of contact.



WALL MOUNTING

Do not fit the castors to the base of the heater. Make sure the heater is unplugged from the mains power and the wall is suitable for mounting the panel heater and there are the correct clearances. Make sure the panel heater is within 1 metre of a power socket. Detach the mounting bracket from the rear of the heater by compressing the 2 bracket clips, pulling the clips out of the heater rear & removing the bracket hooks from the heater.

Position the bracket on the wall in the desired position & drill holes for four mounting screws. Once the holes are drilled, use four screws (appropriate for the type of wall) to fix the bracket firmly in place. Check for strength. Carefully place the heater (slightly tilted forward) onto the hooks at the bottom of the bracket & rotate back so the clips fix back into their original holes. Check that they are fixed correctly. If possible, have a second person help to check for alignment as the heater is attached. The heater is now ready to connect to the mains power.



SAFETY FEATURES

1. A thermal overload protector is built in to prevent overheating. When an overheat temperature is reached, the heater will automatically shut off. It can only resume operation when the user resets the unit (see reset instructions below).

To reset your heater:

Unplug the heater and wait for 45 minutes for the unit to cool down. Then, turn on the unit again and operate normally.

2. The appliance has a tilt switch built into it so that if the appliance falls over, the element will stop working. Note that the numerical display does not change even though the elements are no longer running.

To reset your heater:

Turn the appliance off at the main power switch. Right the appliance back onto its castors NOTE: Take care as the appliance may be hot. Turn the power switch on.

CLEANING & MAINTENANCE

WARNING:



ALWAYS UNPLUG THE CORD BEFORE MOVING OR SERVICING, DO NOT IMMERSE HEATER IN WATER!

With the heater disconnected from the power, clean the exterior body of the heater with a soft damp cloth. Always make sure that the heater is completely dry before connecting back to the mains supply. A vacuum cleaner can be used to clean the inlets & outlets of dust & fluff. To clean behind a wall mounted unit, the mounting clips can be disconnected & the heater rotated slightly forward (a 2 person job). Please make sure the unit is properly resecured after.

CAUTION: Do not use gasoline, benzene, thinner, harsh cleaners, etc. as they will damage the heater. NEVER use ALCOHOL OR SOLVENTS.

STORAGE: Store the heater with these instructions in the original packaging, in a cool, dry place.

WEEE WARNING

This product should not be disposed of with household waste. Please recycle where facilities exist and check with your local authority for recycling advice.



SPECIFICATIONS

MODEL	INPUT POWER	RATED POWER	DIMENSIONS (NO CASTORS)	WEIGHT
ANPE1500W	220-240Vac 50Hz	1500W	640x413x113mm (WxHxD)	4.4Kg
ANPE2000W	220-240Vac 50Hz	2000W	800x413x113mm (WxHxD)	4.9Kg
ANPE2400W	220-240Vac 50Hz	2400W	1000x413x113mm (WxHxD)	6.9Kg

HINTS & TIPS

Where possible, your electric panel convection heater should be connected to a power outlet that uses a separate 10 amp power circuit than other items. This will avoid overloading your household fuse.

In the event that your household fuse is overloaded and trips, please note this is normally caused by the use of excessive power outlets at the same time your heater is operating (for example, a steam iron, kettle, toaster etc.). Please ensure to check the use of the power circuit and adjust when heater is in use (i.e. turn off the heater when boiling a kettle).

If your heater does not work:

- Check that power is available to the heater & it is plugged in & turned on.
- Check that the heater temperatures are set correctly for the ambient temperature.
- Check that the thermal cut-out has not activated (see safety features).
- Do not try to repair the heater.

Should you still experience difficulty contact Omega Altise Service for assistance.

It is important that you retain these instructions, proof of purchase as well as other important documents about this product for future reference.

Due to continual product development, Omega Altise reserves the right to alter specifications or appearances without notice.

Dispose of packaging responsibly – recycle where facilities are available.

A division of Shiro Australia Pty Ltd
104 Vanessa St Kingsgrove NSW 2208
In Australia: 1300 795 572
In New Zealand: (09) 415 6000
www.omegaltise.com

IM Ref: ANPE1500/2000/2400W 06/2016/09